

# VACUUM BRAZED DIAMOND TOOLS



**STRAUSS & CO.**  
INDUSTRIAL DIAMONDS LTD.

## Vacuum brazed DIAMOND & C.B.N. tools

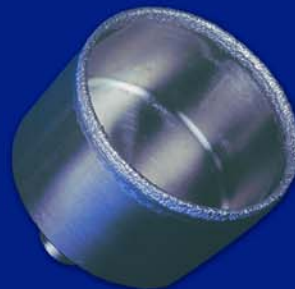
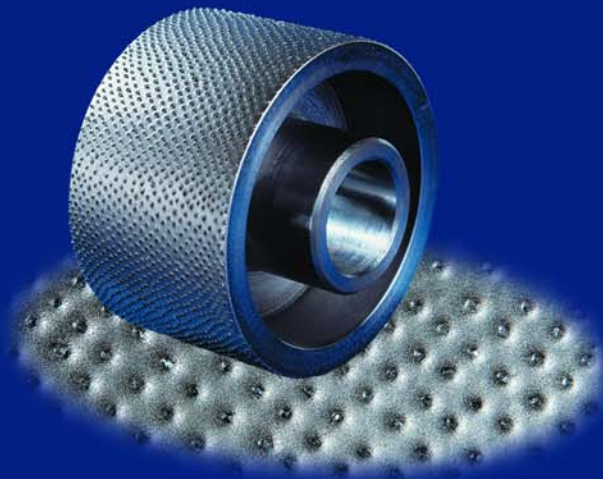
This new unique technology of manufacturing DIAMOND & C.B.N tools offers numerous advantages in the production of custom made profile tools for the metalworking and **stone grinding** industry. In this revolutionary technology a special bond is used in order to manufacture a tool in a vacuum cell at a high temperature.

Among this line of products are diamond routers in various shapes for the stone and marble industry, profile tools for the fiberglass and re-inforced plastics industries and dressing rolls for dressing of conventional grinding wheels in precision profile grinding.

"STRAUSS & CO." have also begun to supply with excellent results some dental tools, tools for polycarbonate lenses, tools for the quartz grinding industry as well as tools for the composite industry - automotive & aerospace.

### The main advantages of "STRAUSS" vacuum brazed tools are:

- Flexibility in the manufacturing process which enables us to manufacture small series and including one - of - a - kind tools at reasonable prices.
- The possibility to place diamonds selectively. this permits the production of various tools where application demands varying concentration of superabrasives.
- The ability to create tools utilizing different grit sizes and qualities on the same tool, so that new type of tools can be made.
- The ability to vary concentration and depth of superabrasives embodiment enables the production of optimal, cool running, free grinding tools with higher load factors.



# STRAUSS & CO.

**STRAUSS & CO.**  
**INDUSTRIAL DIAMONDS LTD.**

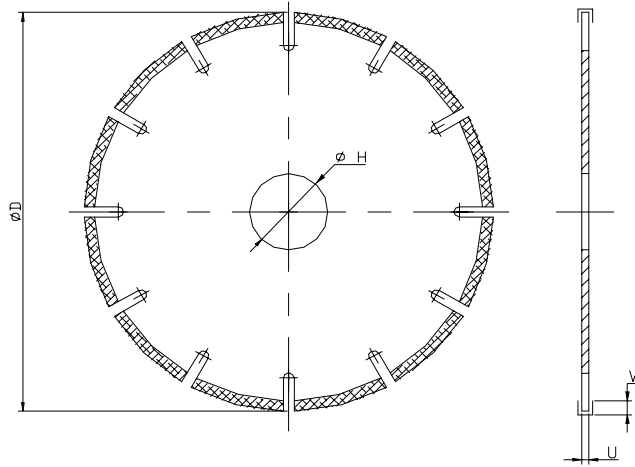
19, Hayezira st. Industrial Area, P.O.Box 58, Raanana, ISRAEL.

E-mail: [strauss@internet-zahav.net](mailto:strauss@internet-zahav.net) Tel: 972-9-7461631/2 Fax 972-9-7461636 <http://www.strauss-co.com>



Ed. 03/00

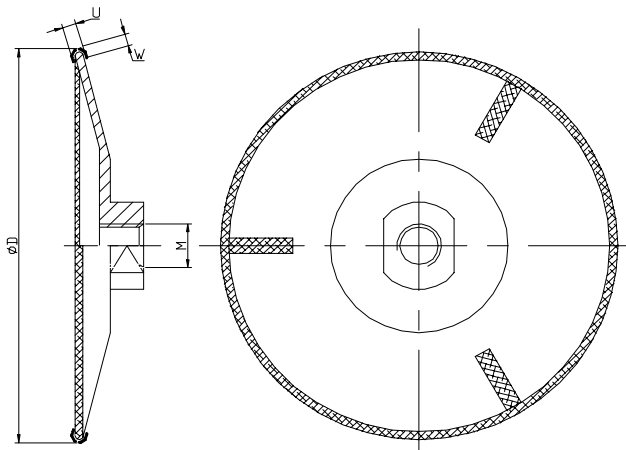
**Diamond brazed Saw with bore**



**VACUUM BRAZED DIAMOND TOOLS**

Catalog No.	D,mm	U,mm	W,mm	H,mm
BRS12001D427	120	2	3	22,2

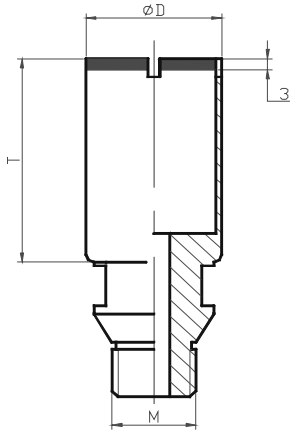
**Diamond brazed Concave Saw with female thread**



**VACUUM BRAZED DIAMOND TOOLS**

Catalog No.	D,mm	U,mm	W,mm	M
BRSC11502D427	115	2,5	3	M14
BRSC12502D427	125	2,5	3	M14

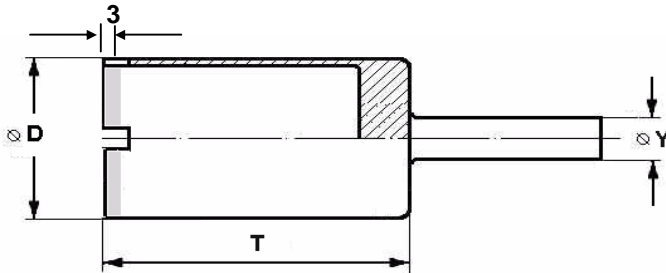
### Diamond brazed Hole Saw with male thread



#### VACUUM BRAZED DIAMOND TOOLS

Catalog No.	D,mm	T,mm	M
BRH1401D427	14	60	G1/2"
BRH1601D427	16	60	G1/2"
BRH2601D427	26	60	G1/2"
BRH3501D427	35	60	G1/2"

### Diamond brazed Hole Saw with shank

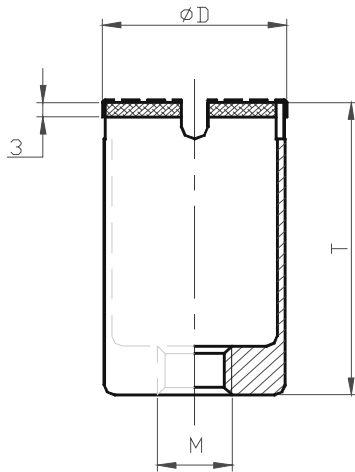


#### VACUUM BRAZED DIAMOND TOOLS

Catalog No.	D,mm	L,mm	Y,mm
BRH2502D427	25	60	9,52
BRH3502D427	35	60	9,52

**STRAUSS & CO.**

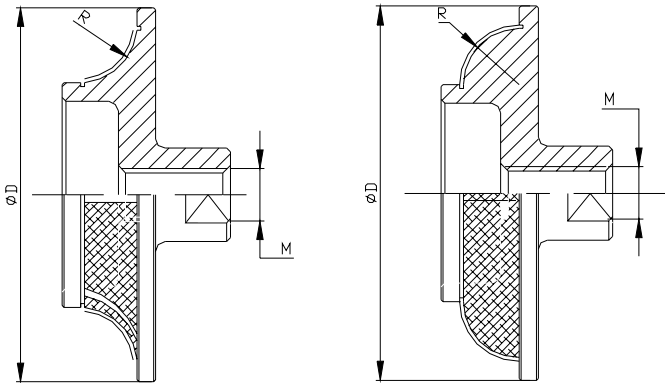
**Diamond brazed Hole Saw with female thread**



**VACUUM BRAZED DIAMOND TOOLS**

Catalog No.	D,mm	T,mm	M
BRH2003D427	20	50	M14
BRH6503D427	65	50	M14

**Diamond brazed shaped Wheel with female thread**

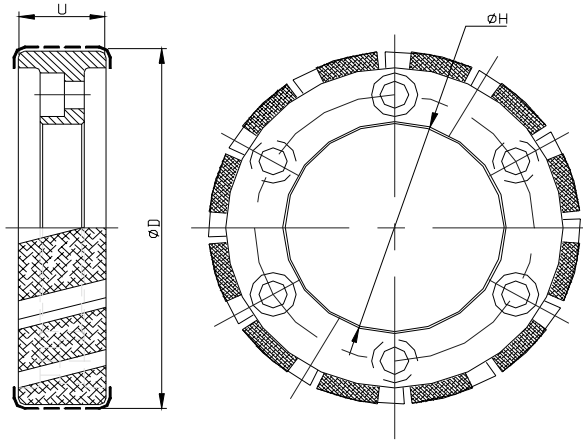


**VACUUM BRAZED DIAMOND TOOLS**

Concave				Convex			
Catalog No.	D,mm	R,mm	M	Catalog No.	D,mm	R,mm	M
BRBC1001D427	100	10	M14	BRBX1002D427	100	10	M14
BRBC1501D427	100	15	M14	BRBX1502D427	100	15	M14
BRBC2001D427	100	20	M14	BRBX2002D427	100	20	M14
BRBC2501D427	100	25	M14	BRBX2502D427	100	25	M14
BRBC3001D427	100	30	M14	BRBX3002D427	100	30	M14



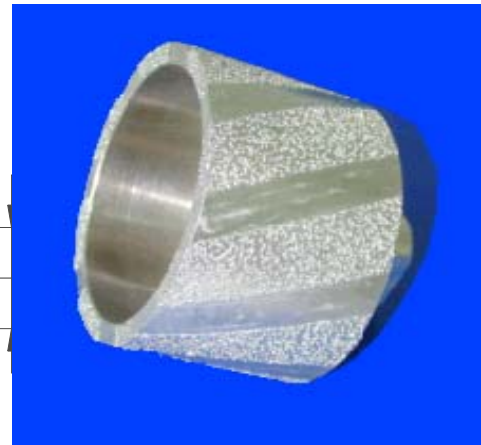
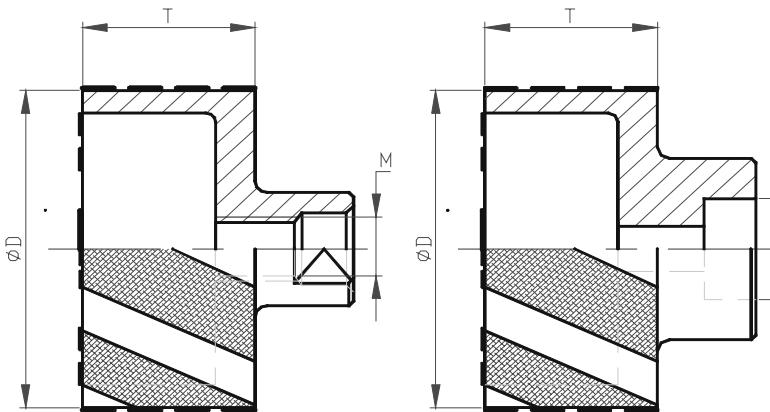
**Diamond brazed Wheel with bore**



**VACUUM BRAZED DIAMOND TOOLS**

Catalog No.	D,mm	U,mm	H,mm
BRW8601D602	86	21	50

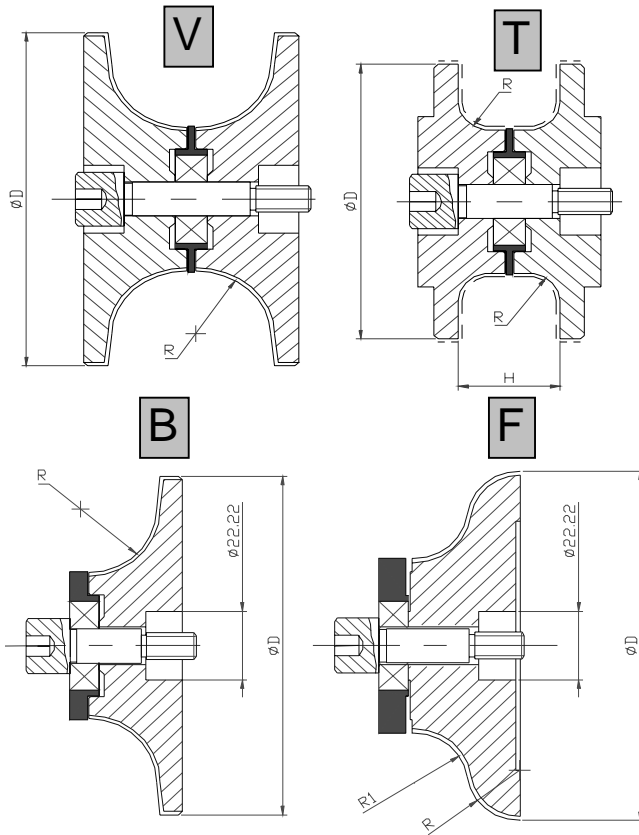
**Diamond brazed Wheel with female thread**



**VACUUM BRAZED DIAMOND TOOLS**

Catalog No.	D,mm	T,mm	M
BRW7001D427	70	50	M14
BRW7002D427	70	50	22,22

**Diamond brazed shaped Wheel (fit to Marmoelectromecanica`s machine)**



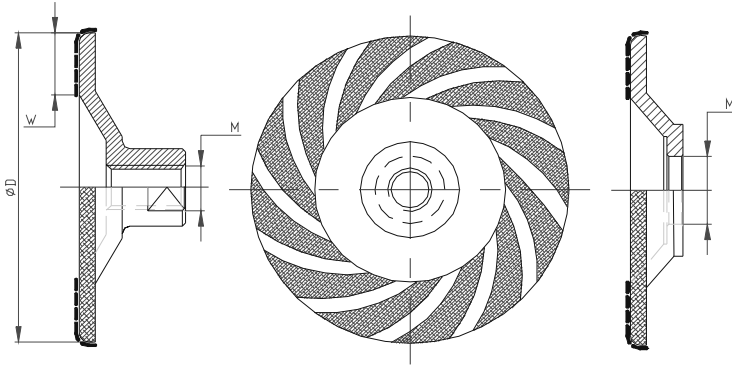
Catalog No.	D,mm	R,mm	Catalog No.	D,mm	R,mm
BRV20P1D427	66	10	BRB15P1D427	75	15
BRV20P2D181	66	10	BRB15P2D181	75	15
BRV20P3D91	66	10	BRB15P3D91	75	15
BRV30P1D427	75	15	BRB20P1D427	85	20
BRV30P2D181	75	15	BRB20P2D181	85	20
BRV30P3D91	75	15	BRB20P3D91	85	20
BRV40P1D427	85	20	BRB30P1D427	105	30
BRV40P3D181	85	20	BRB30P2D181	105	30
BRV40P3D91	85	20	BRB30P3D91	105	30

Catalog No.	D,mm	R,mm	R1,mm	Catalog No.	D,mm	R,mm	R1,mm
BRF20P1D427	80	10	10	BRF30P1D427	100	15	15
BRF20P2D181	80	10	10	BRF30P2D181	100	15	15
BRF20P3D91	80	10	10	BRF30P3D91	100	15	15

Catalog No.	D,mm	R,mm	H,mm
BRT20P1D427	60	8	20
BRT20P2D181	60	8	20
BRT20P3D91	60	8	20



### Diamond brazed Flat Wheel with female thread



### VACUUM BRAZED DIAMOND TOOLS

With thread				With bore			
Catalog No.	D,mm	W,mm	M	Catalog No.	D,mm	W,mm	M
BRW10001D427	100	22	M14	BRW10002D427	100	22	22,2

### Diamond brazed Inox Wheel with female thread



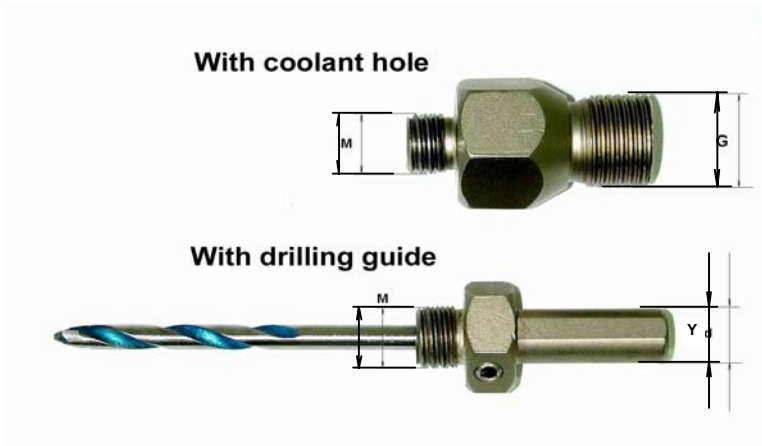
### VACUUM BRAZED DIAMOND TOOLS

Catalog No.	D,mm	R,mm	M
BRIX0501D427	76	5	M14
BRIX1001D427	96	10	M14
BRIX1501D427	96	15	M14
BRIX2001D427	96	20	M14
BRIX2501D427	104	25	M14
BRIX3001D427	107,5	30	M14

**STRAUSS & CO.**



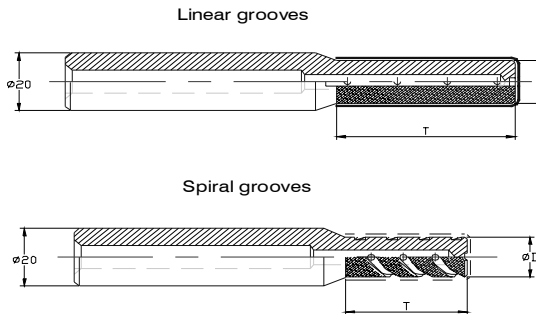
**Adaptors for Hole Saw with female thread**



**VACUUM BRAZED DIAMOND TOOLS**

With coolant hole			With drilling guide		
Catalog No.	M	G	Catalog No.	M	Y,mm
AdM14G1/2"	M14	G1/2"	AdM14d12	M14	12

**Diamond brazed Parallel Router with shank**

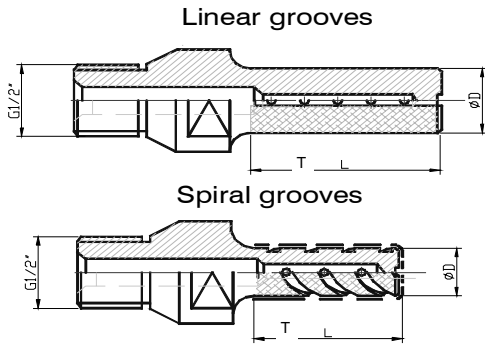


**VACUUM BRAZED DIAMOND TOOLS**

Linear grooves			Spiral grooves		
Catalog No.	D,mm	T,mm	Catalog No.	D,mm	T,mm
BRPL1301D427	13	34	BRPS1301D427	13	34
BRPL1602D427	16	44	BRPS1602D427	16	44
BRPL1603D427	16	64	BRPS1603D427	16	64



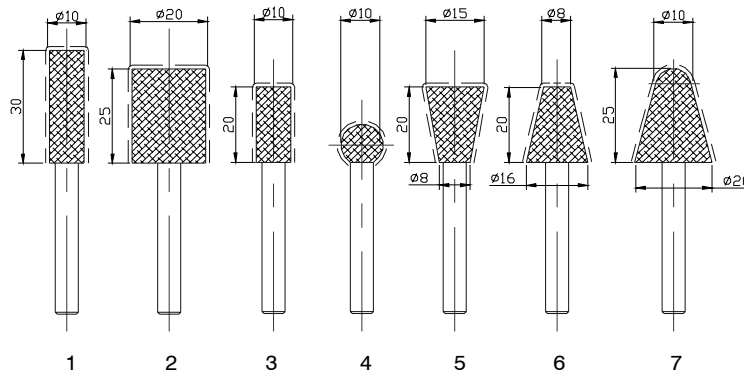
**Diamond brazed Parallel Router with thread**



**VACUUM BRAZED DIAMOND TOOLS**

Linear grooves			Spiral grooves		
Catalog No.	D,mm	T,mm	Catalog No.	D,mm	T,mm
BRRL1401GD427	14	34	BRRS1501GD427	15	34
BRRL1602GD427	16	64	BRRS1702GD427	17	54
BRRL2003GD427	20	112	BRRS1703GD427	17	64

**Set 1 of diamond brazed Grinding Pin for sculptors with shank 6 mm**

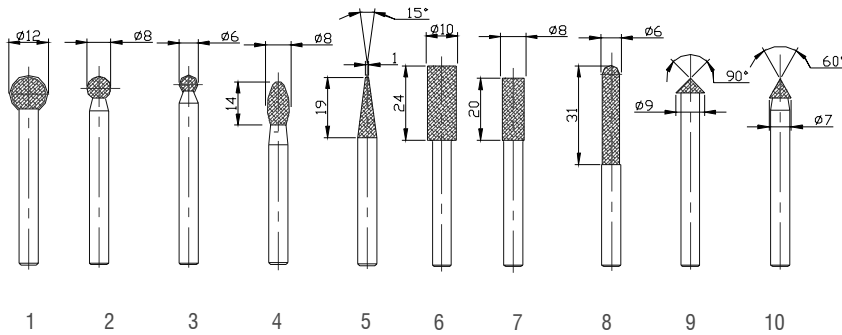


**VACUUM BRAZED DIAMOND TOOLS**

Catalog No.	Pins quantity, pcs	Description
FRSET1D427	7	1-10x30x6x70; 2-20x25x6x65; 3-10x20x6x60; 4-GR10; 5-15x20x10°x6x60; 6-16x20x13°x6x60; 7-20x25xR5x6x60

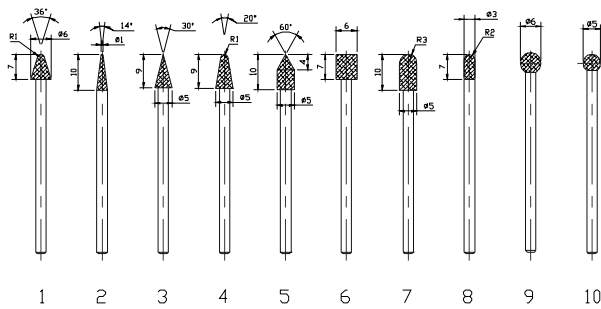


**Set 2 of diamond brazed Grinding Pins for sculptors with shank 6 mm**



<b>VACUUM BRAZED DIAMOND TOOLS</b>		
<b>Catalog No.</b>	<b>Pins quantity, pcs</b>	<b>Description</b>
FRSET2D427	10	1-GR12x6x60; 2-GR8x6x60; 3-GR6x6x60; 4-8x14xR35x6x60; 5-6x19x15°x6x60 6-10x24x6x65; 7-8x20x6x60; 8-6x31xR3x6X65; 9-9x90°x6x60; 10-9x60°x6x60

**Set 3 of diamond brazed Grinding Pin for sculptors with shank 3 mm**



<b>VACUUM BRAZED DIAMOND TOOLS</b>		
<b>Catalog No.</b>	<b>Pins quantity,</b>	<b>Description</b>
FRSET3D427	10	1-6x36°x3x55; 2-3x14°x3x55; 3-5x30°x3x55; 4-5x20°xR1x3x55; 5-5x6x10x60°x3x55 6-6x7x3x55; 7-5x10xR6x3x55; 8-3x7xR2x3X55; 9-GR6x3x55; 10-GR5x3x55

